

RAVAS ProLine Touch GMP

Hygienic stainless steel hand pallet truck



BENEFITS

- Minimal maintenance, easy cleaning and high resistance to corrosion
- Manufactured 100% in stainless steel 304L (1.4307) or 316L (1.4404), including all hydraulic parts
- Open under-fork construction, closed fork-shoe, for maximum hygiene
- Hydraulic equipment contains food grade oil
- Continuous weld: welds are polished
- Electro polishing, for very smooth surfaces

Hygienic

Made in Europe



RAVAS

FUNCTIONS

- Automatic and manual zero correction
- Gross/net weighing
- Automatic and manual tare via touch screen
- Entry of alphanumeric codes
- Totalling with sequence number
- Piece counting by sampling or entry of piece weights
- Error messages in display
- Internal clock
- USB port for data capture

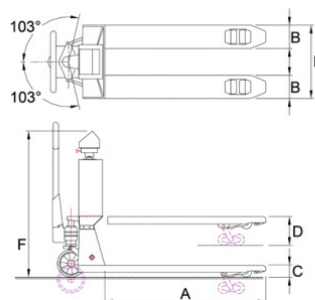
STANDARD SPECIFICATIONS

- Weighing capacity 2.000 kg
- Graduation multirange:
0 - 200 kg: graduation 0,1 kg
200 - 400 kg: graduation 0,2 kg
400 - 2.000 kg: graduation 0,5 kg
- Max. tolerance 0.08% of the load lifted
- Display 18 cm / 7.1 inch, high resolution touch screen
- Protection class load cells IP67, indicator IP65
- Battery 12V, by 4 exchangeable battery modules 6V - 4,8Ah
- Battery life 12 hours, charging time 6 hours
- Charger 230V NiMH charger included
- Steering wheels nylon
- Loading wheels nylon, single
- Pump ergonomic lift
- Own weight 170 kg

HYGIENIC CONSTRUCTION

- All bearings are waterproof and self-lubricated
- All moveable parts have polymer bearings, free of lubrication
- Pump function with plastic coated stainless steel cable (no chain)
- Internal dashboard with on/off switch, fuse and USB port
- Completely silicon free

DIMENSIONS IN MM



A	Fork length	1150
B	Fork width	160
C	Minimum fork height	90
	Space underneath fork	20
D	Maximum fork height	205
	Lifting height	120
E	Width over forks	550
F	Height	1225

OPTIONS*

- Client specific software
- 4 extra exchangeable batteries
- (internal) USB output for transfer stored weighing data
- External printer connected by bluetooth to the indicator
- Bluetooth or WLAN output
- Legal for trade version, OIML III
- Rotating indicator
- 0,1 kg graduation, maximum 1.000 kg capacity

RAVAS Europe B.V.

Veilingweg 17, 5301 KM Zaltbommel, The Netherlands

T: +31 418 515220 E: salesoffice@ravas.com

WWW.RAVAS.COM



Management System
ISO 9001:2015
ISO 14001:2015
ISO 45001:2018
www.tuv.com
ID 0000037200

RAVAS