

# RAVAS 3200

Pallet truck scale with extended scale functions

## BENEFITS

- Angled fork tips for easy access to low and closed pallets
- High capacity Li-ion battery pack for 75 hours of autonomy
- Automatic dosing function (option)
- Three communication protocols
- Internal clock for date/time
- For warehousing, dosing and mixing
- Connectivity for RAVAS Indicator App
- Data transfer to devices that have Bluetooth® technology (option)
- Connectivity software available



Top quality  
Advanced functions



# RAVAS

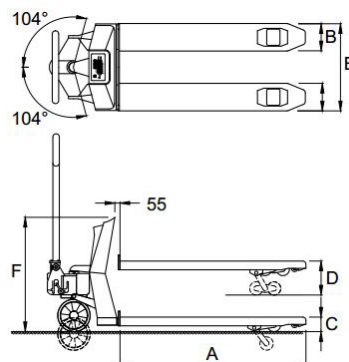
## FUNCTIONS

- Automatic and manual zero correction
- Gross/net weighing
- Automatic and manual tare
- Totalling with sequence number
- Code entry (5-digit)
- RS232 port for connection with printer
- Extra port for wireless connectivity options with devices that have Bluetooth® technology
- Connectivity for RAVAS Indicator App
- Internal clock
- Error messages in display
- Automatic switch-of after 30 minutes of non-use
- kg/lb toggle

## STANDARD SPECIFICATIONS

- Weighing capacity 2.000 kg (2.500 kg or 3.000 kg optional)
- Graduation multirange:  
0 - 200 kg: graduation 0,2 kg  
200 - 500 kg: graduation 0,5 kg  
500 - 2.000 kg: graduation 1 kg
- Max. tolerance 0,1% of the load lifted
- Display LCD dual color, digit height 20 mm, backlight
- Keypad 5 function keys, on/off key
- Protection class load cells IP67, indicator IP65
- Battery 14,8Vdc/5Ah, exchangeable; Li-ion battery pack charger included
- Battery life 75 hours, low battery indication in display
- Charger 230V/14,8Vdc - 1 A
- Charging time approximately 6 hours
- Steering wheels rubber
- Loading wheels polyurethane, tandem
- Colour red (RAL 3000), epoxy painted
- Own weight 120 kg
- Pump quick lift

## DIMENSIONS IN MM



Standard

A	Fork length	1150
B	Fork width	170
C	Minimum fork height	90
	Space underneath fork	22
D	Maximum fork height	180
	Lifting height	90
E	Width over forks	540
F	Height to top indicator	800
	Tolerance +/- 3 mm	



## OPTIONS\*

- Legal for trade version, OIML III
- Extra exchangeable Li-ion battery pack
- Built-in thermal printer
- Data transfer to devices that have Bluetooth® technology
- Relay setpoint switch for automatic dosing
- Multirange graduation 0,1/0,2/0,5 kg
- Stainless steel fork shoes
- Stainless steel or galvanized truck
- Pivoting indicator: readout from all angles during dosing
- Footbrake
- Different fork dimensions (fork height 90 mm)
- Different steering or loading wheels
- RDC, RAVAS Data Collector Software
- RIS, RAVAS Integration Software

### RAVAS Europe B.V.

Veilingweg 17, 5301 KM Zaltbommel, The Netherlands

T: +31 418 515220 E: salesoffice@ravas.com

WWW.RAVAS.COM

# RAVAS