

RAVAS ProLine 2100 Exi

Explosion proof pallet truck scale



BENEFITS

- Superb accuracy
- System certification ATEX II 2 G Ex ib IIB T4 Gb & ATEX II 2 D Ex ib IIIC T135°C Db
- Rotating indicator and big push buttons
- Exchangeable battery pack
- Stainless steel forks
- Antistatic steering wheels
- For mixing and batching in zone 1&21 or 2&22!

Top quality

For hazardous areas



RAVAS

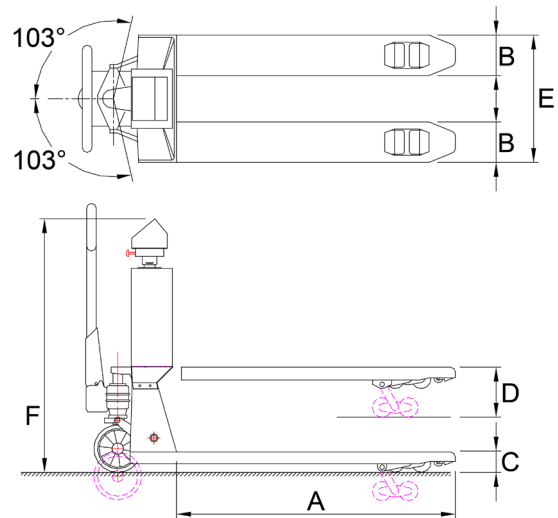
FUNCTIONS

- Automatic and manual zero correction
- Gross/net weighing
- Automatic tare over the full scale. Pre-set tare maximum first range (200 kg)
- Error messages in display
- Automatic switch-off after 30 minutes of non-use
- Low battery warning in display

STANDARD SPECIFICATIONS

- Weighing capacity 2,000 kg
- Graduation multirange:
0 - 200 kg: graduation 0.1 kg
200 - 400 kg: graduation 0.2 kg
400 - 2,000 kg: graduation 0.5 kg
- Max. tolerance 0.08 % of the load lifted
- System certification II 2 G Ex ib IIB T4 Gb & II 2 D Ex ib IIC T135°C Db, approval number DEKRA 13ATEX 0044
- Display Pivoting, LCD, digit height 18 mm
- Keypad foil keypad and push buttons, 3 function keys, on/off key, resistant to chemicals
- Protection class load cells IP67, indicator IP65
- Fork shoes stainless steel
- Battery intrinsically safe, approval number DEKRA 13ATEX 0043, 8Vdc/3.5 Ah, rechargeable, exchangeable, maintenance free
- Battery life 100 hours, low battery indication 5 hours before automatic switch-off
- Charger 230V/8Vdc - 1 A; for use outside hazardous zone
- Charging time approximately 8 hours
- Steering wheels rubber, antistatic < 10⁹ohm
- Loading wheels polyurethane, tandem
- Colour red (RAL 3000), epoxy painted
- Own weight 130 kg
- Pump ergonomic lift

DIMENSIONS IN MM



	Standard chassis	Stainless Chassis
A Fork length	1150	1150
B Fork width	160	160
C Minimum fork height	90	90
Minimum clearance	22	22
D Maximum fork height	200	200
Lifting height	110	110
E Width over forks	550	550
F Height to top indicator	1185	1185

For approved versions, class OIML III : European approval no. T2782, switch-of of display when tilting more than 2°. Graduation: multirange 0.2/0.5/1 kg, or one of the following fixed graduations:

- 1.000 divisions: 1,0/1.000 kg or 2,0/2.000 kg
- 2.000 divisions: 0,5/1.000 kg or 1,0/2.000 kg



Management System
ISO 9001:2015
ISO 14001:2015
ISO 45001:2018
www.tuv.com
ID 0000037200

OPTIONS*

- Extra exchangeable battery pack
- Port in EXd enclosure for data transfer to devices that have Bluetooth® technology
- Legal for trade version, OIML III
- Full stainless steel truck

RAVAS Europe B.V.

Veilingweg 17, 5301 KM Zaltbommel, The Netherlands

T: +31 418 515220 E: salesoffice@ravas.com

WWW.RAVAS.COM

