

RAVAS ProLine Touch

Hand Pallet Jack Scale

MOBILE
WEIGHING
SYSTEMS

Mobile weighing provides a variety of benefits including speed, efficiency, and accuracy. The RAVAS ProLine Touch adds to that list by becoming the first weighing hand pallet truck equipped with a touch screen indicator that calculates weight in increments of 3.5 ounces. It's perfect for use in the food, pharmaceutical, and chemical industries, and parts supply chains.

Enhance Your Logistical and Production Processes

- Accurately piece counts and weighs
- Advanced scale functions for dosing
- 7.1" touch screen indicator with advanced functions
- Programmable user interface
- USB port for data capture
- 12-hours of battery life



Touch screen indicator has a programmable user interface

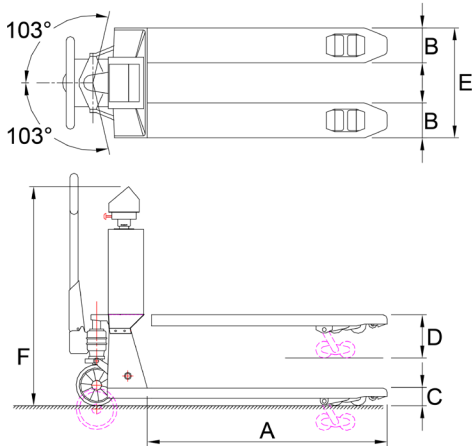
FlexBolt® technology absorbs torque forces

RAVAS ProLine Touch

FUNCTIONS

- Automatic and manual zero correction
- Internal clock for date and time
- Error messages in display
- Piece counting by sampling or calculation of piece weights
- Totalling
- Entry of alphanumeric codes
- Automatic and manual tare via touch screen
- Gross/net weighing
- Weighing, counting, totalizing and dosing

DIMENSIONS



STANDARD

A	Fork Length	48"
B	Fork Width	7.1"
C	Minimum Fork Height	3.25"
	Ground Clearance	0.7"
D	Maximum Fork Height	7.9"
	Lifting Height	4.8"
E	Width Over Forks	27.2"
F	Height to Top Indicator	44"

STANDARD SPECIFICATIONS

CAPACITY

- 5,000 lb.

GRADUATION MULTIRANGE

Multirange:

- 0 - 400 lb.: graduation 0.2 lb.
- 400 - 1,000 lb.: graduation 0.5 lb.
- 1,000 - 5,000 lb.: graduation 1 lb.

MAXIMUM TOLERANCE

- 0.08% of the load lifted

DISPLAY

- 7.1", high resolution touch screen

PROTECTION CLASS

- NEMA 4 / IP65

POWER CONSUMPTION

- 360 mA

BATTERY

- 12V, by 2 exchangeable battery modules 6V-4,8Ah

BATTERY CYCLE TIME

- 15 hours, charging time 6 hours

CHARGER

- 110V NiMH charger

PROTECTION CLASS

- NEMA 4 / IP65

POWER CONSUMPTION

- 360 mA

BATTERY

- 12V, by 2 exchangeable battery modules 6V-4,8Ah

BATTERY CYCLE TIME

- 15 hours, charging time 6 hours

CHARGER

- 110V NiMH charger