

RAVAS ProLine Touch

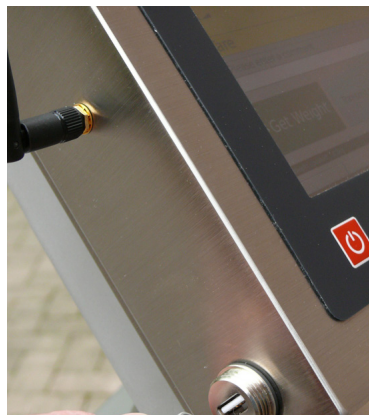
Pallet truck scale with programmable touch screen indicator



BENEFITS

- Superb accuracy
- Rotating touch screen indicator
- Programmable user interface
- Advanced scale functions, i.e. dosing
- USB port for data capture
- 12 hours battery life

The hi-tech standard
Extremely accurate



RAVAS

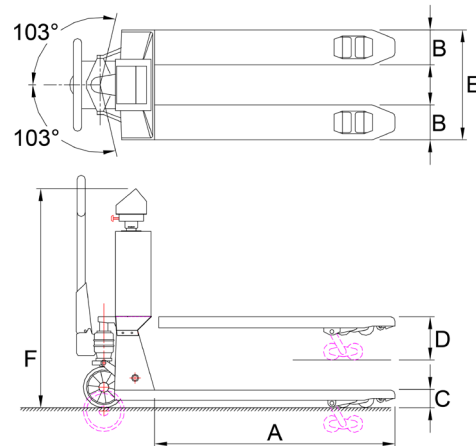
FUNCTIONS

- Automatic and manual zero correction
- Gross/net weighing
- Automatic and manual tare via touch screen
- Entry of alphanumeric codes
- Totalling with sequence number
- Piece counting by sampling or calculation of piece weights
- Error messages in display
- Internal clock

STANDARD SPECIFICATIONS

- Weighing capacity 2.000 kg
- Graduation multirange:
0 - 200 kg: graduation 0,1 kg
200 - 400 kg: graduation 0,2 kg
400 - 2.000 kg: graduation 0,5 kg
- Max. tolerance 0.08% of the load lifted
- Display 18 cm / 7.1 inch, high resolution
touch screen
- Protection class load cells IP67, indicator IP65
- Power consumption 360 mA
- Battery 12V, by 4 exchangeable battery modules 6V-4,8Ah
- Battery life 12 hours, charging time 6 hours
- Charger 230V NiMH charger included
- Steering wheels rubber
- Loading wheels polyurethane, tandem
- Colour red (RAL 3000), epoxy painted
- Own weight 180 kg
- Pump ergonomic lift

DIMENSIONS IN MM



		Standard Chassis	Stainless Steel
A	Fork length	1150	1150
B	Fork width	160	160
C	Minimum fork height	90	90
	Minimum clearance	22	22
D	Maximum fork height	205	205
	Lifting height	115	115
E	Width over forks	550	550
F	Height to top indicator	1185	1185
	Loading wheels		
	- type: PU tandem	yes	no
	- type: PU single	no	no
	- type: Nylon single	no	yes
	Steering wheels		
	- type: rubber, anti-static	yes	yes



Management System
ISO 9001:2015
ISO 14001:2015
ISO 45001:2018
www.tuv.com
ID 000037200

PREMIUM OPTIONS*

- Client specific software
- 2 extra exchangeable batteries
- Built-in thermal printer
- Bluetooth or WLAN output
- Legal for trade version, OIML III

OPTIONS*

- 0.1 kg graduation, maximum 1,000 kg capacity
- Stainless steel fork shoes
- Premium quality stainless steel pallet truck

RAVAS Europe B.V.

Veilingweg 17, 5301 KM Zaltbommel, The Netherlands

T: +31 418 515220 E: salesoffice@ravas.com

WWW.RAVAS.COM

