

RAVAS 2560 Exi

Explosion proof pallet truck scale

BENEFITS

- Designed for hazardous environments
- Stainless steel fork cover
- For mixing and batching in Zone 1&21 or 2&22
- Rotating display, visible from all sides
- System certification:
ATEX II 2 G Ex ib IIC T4 Gb
ATEX II 2 D Ex tb [ib] IIIC T60°C Db
- System certification *with WiFi*:
ATEX II 2 G Ex ib IIB T4 Gb
ATEX II 2 D Ex tb [ib] IIIC T60°C Db
- Rechargeable battery
- Large LCD display with backlight



The hi-tech standard
Hazardous environment



RAVAS

FUNCTIONS

- Automatic and manual zero correction
- Gross/net weighing
- Automatic tare by push button
- Automatic switch-of after 10/30/60 minutes of non-use
- Numeric keypad with large digits
- On/off key
- Internal clock
- kg/lb setting

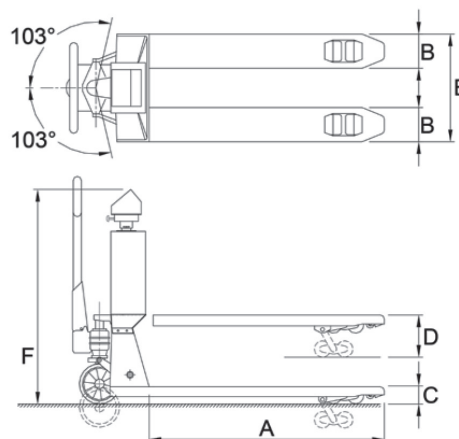
STANDARD SPECIFICATIONS

- Weighing capacity 2,000 kg
- Graduation multirange
0 - 200 kg: graduation 0.2 kg
200 - 500 kg: graduation 0.5 kg
500 - 2,000 kg: graduation 1.0 kg
- Max. tolerance 0.1% of the load lifted
- Display backlight LCD, digit height 25 mm
- Protection class system IP65
indicator and battery IP66
terminal IP67
- Battery 18Vdc/8Ah, NiMh battery pack
charger included
- Battery life 60 hours / 40 hours (WiFi)
- Charger 230V/18Vdc - 0,9 A
- Charging time approximately 6 hours
- Steering wheels rubber, antistatic
- Loading wheels polyurethane, tandem
- Temperature operating at -10°C to 40°C
- Colour red (RAL 3000), painted
- Own weight 150 kg
- System certification ATEX II 2 G Ex ib IIC T4 Gb
ATEX II 2 D Ex tb [ib] IIIC T60°C Db
- System certification *with WiFi* ATEX II 2 G Ex ib IIB T4 Gb
ATEX II 2 D Ex tb [ib] IIIC T60°C Db

WIFI OPTION

The RAVAS 2560 Exi is available with a WiFi option. Please note that this option requires a specific chassis. The WiFi option must therefore be registered upon ordering and can not be retrofitted to a standard chassis.

DIMENSIONS IN MM



Standard

A	Fork length	1150
B	Fork width	160
C	Minimum fork height	90
D	Maximum fork height	200
	Lifting height	110
E	Width over forks	550
F	Height to top indicator	1270



OPTIONS*

- Legal for trade version, OIML III
- Extra NiMh battery pack
- WiFi output
- Relay setpoint switch for automatic dosing
- Multirange graduation 0,1/0,2/0,5 kg
- Stainless steel or galvanized truck
- Footbrake
- Different fork dimensions (fork height 90 mm)
- Different steering or loading wheels

RAVAS Europe B.V.

Veilingweg 17, 5301 KM Zaltbommel, The Netherlands

T: +31 418 515220 E: salesoffice@ravas.com

WWW.RAVAS.COM

RAVAS